

TILELINE TILEVENT

BENEFITS

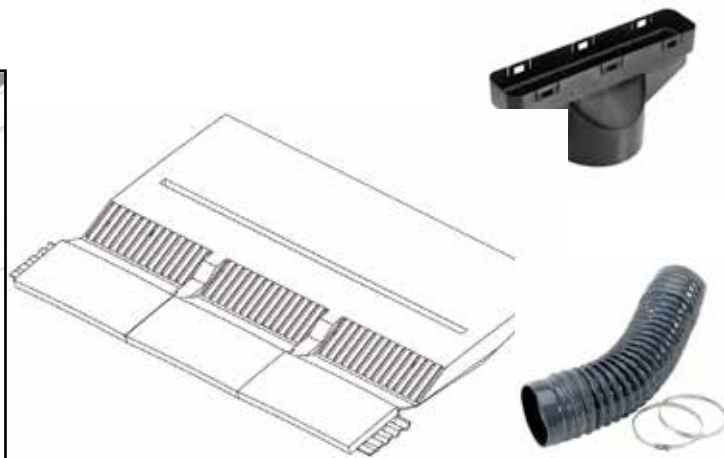
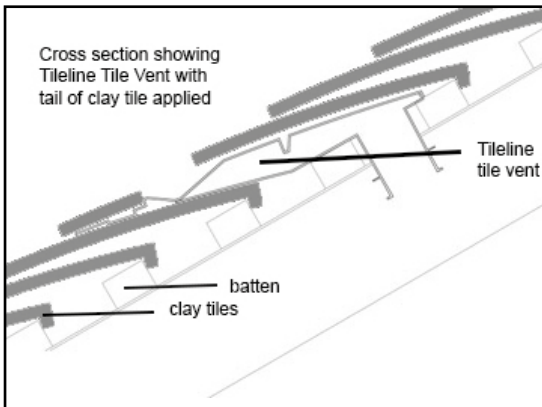
- a high quality inline tile vent that is easily installed and sits flush with the tiles and does not interfere with the aesthetics of the roof line
- can be used at low level or high level where the roof construction does not allow for eaves or ridge ventilation.
- each vent provides the required 5,000mm²/m of ventilation when spaced every 1.5m along the roof
- can be used as a terminal for both soil vent pipes and mechanical extract in kitchens and bathrooms with the use of a pipe adapter and flexi pipe
- reduced throat version available to assist ventilation for warm roofs where the insulation is following the pitch of the rafter to enable airflow to be maintained



This is a discreet ventilator flush with the roof, designed to blend in to the rest of the roof tiles. Sections of Dreadnought tiles are bonded to the leading edge of the tilevent in the same colour as the tiles on the rest of the roof to match in. It provides 7,500mm²/m of ventilation per tile vent. They need to be 2 or 3 courses away from the ridge and 1m in from the gable end (to avoid the roof timbers). They should be installed every 1.5m to provide the required ventilation of 5,000mm²/m and can be staggered on either side of the roof to get the best quality of airflow.

If they are used however in a warm roof, there can be an issue with the vent's spigot sitting on top of the insulation and a special version (reduced throat version) may be required. *Ask Dreadnought for more details.*

Specification clause:
 Install Tileline Tilevent,
 supplied by
 Dreadnought Tiles,
 Pensnett, Brierley Hill
 West Midlands Tel:
 01384 78361 Fax: 01384
 74553
 E: sales@dreadnought-
 tiles.co.uk every 1.5m
 to provide ventilation
 to the roof space equiv-
 alent to 5000mm²/m
 in accordance with
 Building Regulations
 Approved Document C2
 2004 and 2010 & 2013
 and BS 5250: 2011.
 Install as shown in
[Dreadnought Tiles
 instructions](#)



the addition of a pipe adapter and flexipipe allow the vent to provide mechanical extract and soil vent pipe exhaust

Dreadnought Tiles, Hinton Perry & Davenhill Ltd, Dreadnought Works, Pensnett, Brierley Hill, West Midlands DY5 4TH
 Tel: 01384 77405 Email: sales@dreadnought-tiles.co.uk Website: www.dreadnought-tiles.co.uk